

UNIFORM GUIDELINES

T-SHIRT GIRL

The Brightway International School uniform represents unity, discipline, and pride. All students are expected to wear the approved uniform neatly and correctly at all times.

Uniforms should be well-fitted, clean, and ironed.

Only approved colors, styles, and minimal accessories are permitted.

A well-maintained uniform reflects the identity and values of Brightway International School.

FRONT



FRONT



NECK BAND 2.5 CM
BY COMBO, SNES 0.5 CM

ALONG ARMHOLE
SNES 0.1 CM

PRINTED LOGO



TURNBACK 2.5 CM
KANSAI HEM

BACK



PRINTED SCHOOL NAME

BRIGHTWAY INTERNATIONAL SCHOOL
HEIGHT: 1 CM

COLORS CODE(S):



HEX FF881D
RGB 29,136,255
CMYK 0,96,57,0



HEX A3F75
RGB 117,63,10
CMYK 13,28,83,100



UNIFORM GUIDELINES

SKIRT GIRL

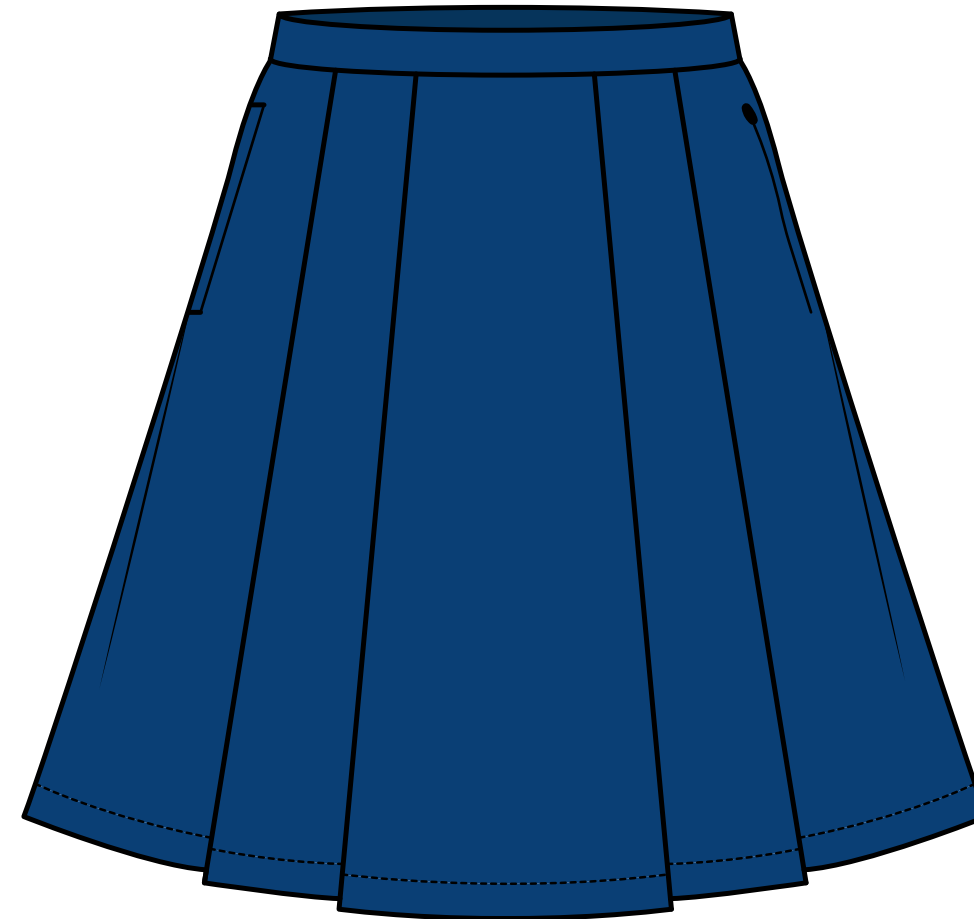
The Brightway International School uniform represents unity, discipline, and pride. All students are expected to wear the approved uniform neatly and correctly at all times.

Uniforms should be well-fitted, clean, and ironed.

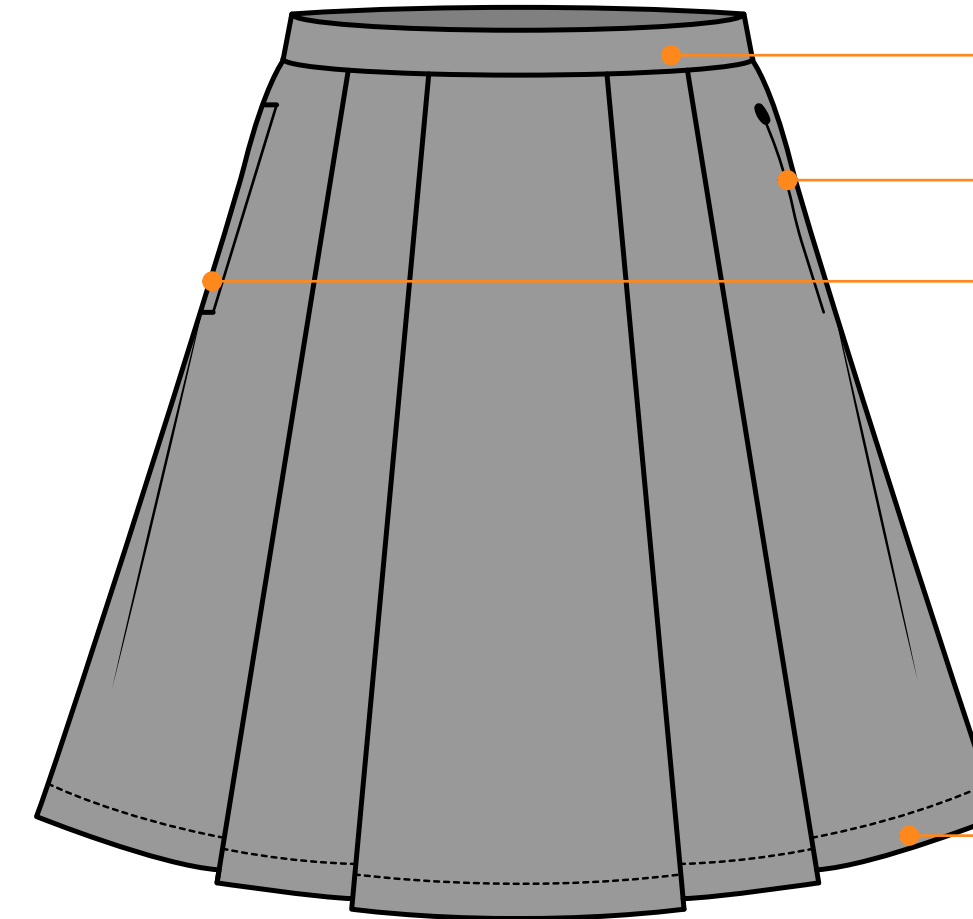
Only approved colors, styles, and minimal accessories are permitted.

A well-maintained uniform reflects the identity and values of Brightway International School.

FRONT



FRONT



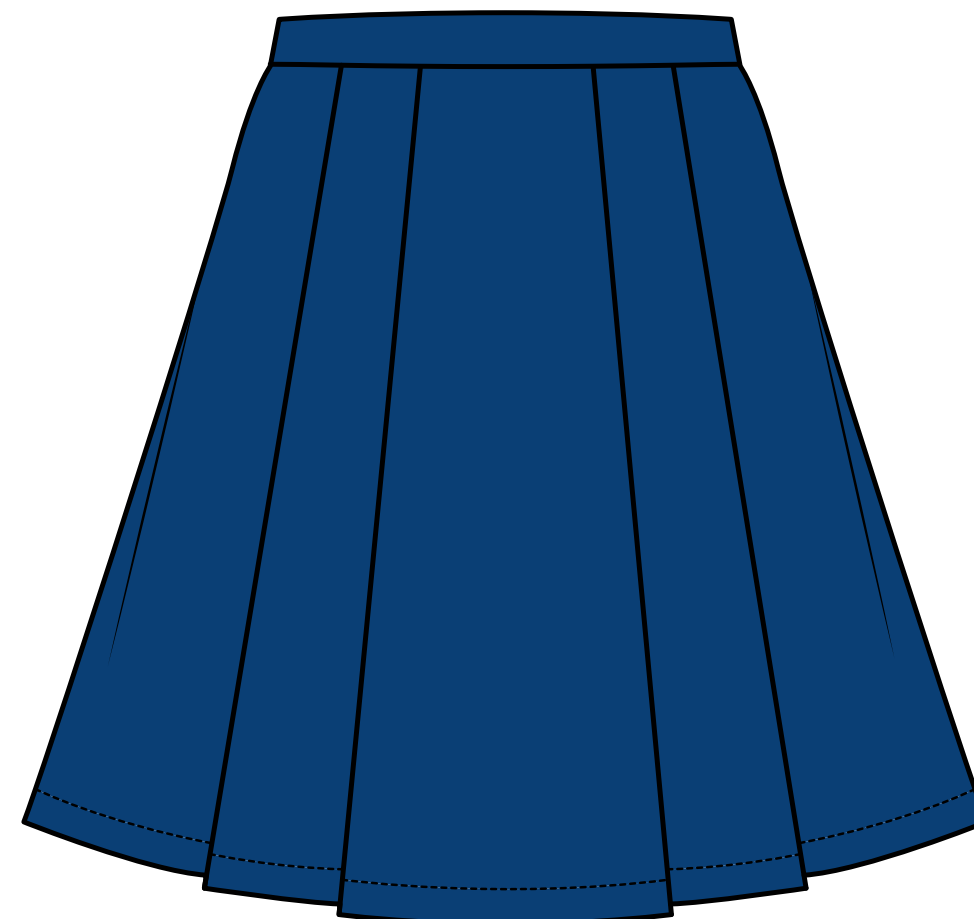
SET INTERLINING FROM WHOLE WAISTBAND.
WAISTBAND HEIGHT 3CM

ZIPPER LENGTH 17.5CM
MAKE BARTACK AT THE END

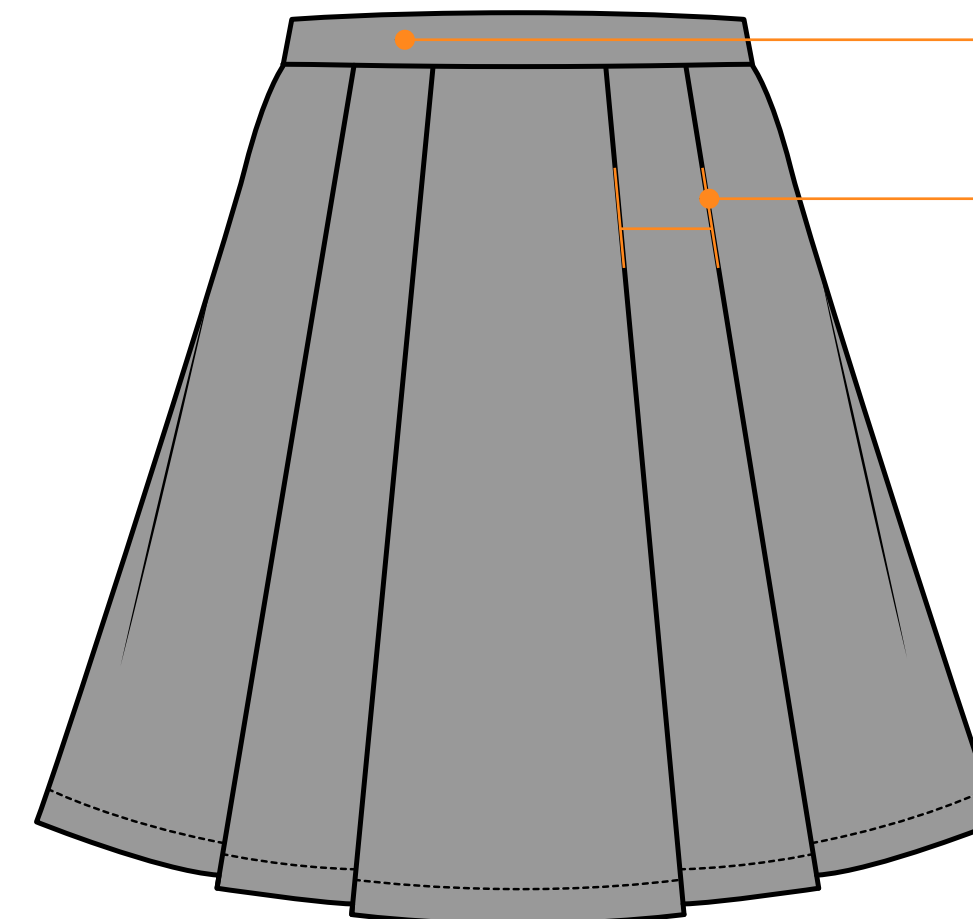
OPENING POCKET 14CM
FOR RIGHT SIDE ONLY
MAKE BARTACK

HEM HEIGHT 3CM
CLEAN FINISH

BACK



BACK



USE HOOK AND BAR INSIDE

DEPTH PLEATS 5 CM

COLORS CODE(S):



HEX A3F75
RGB 117 ,63 ,10
CMYK 13 ,28 ,83 ,100



UNIFORM GUIDELINES

POLO-SHIRT GIRL

The Brightway International School uniform represents unity, discipline, and pride. All students are expected to wear the approved uniform neatly and correctly at all times.

Uniforms should be well-fitted, clean, and ironed.

Only approved colors, styles, and minimal accessories are permitted.

A well-maintained uniform reflects the identity and values of Brightway International School.

FRONT



FRONT



NECK BAND 2.5 CM
BY COMBO, SNES 0.5 CM

ALONG ARMHOLE
SNES 0.1 CM

PRINTED LOGO

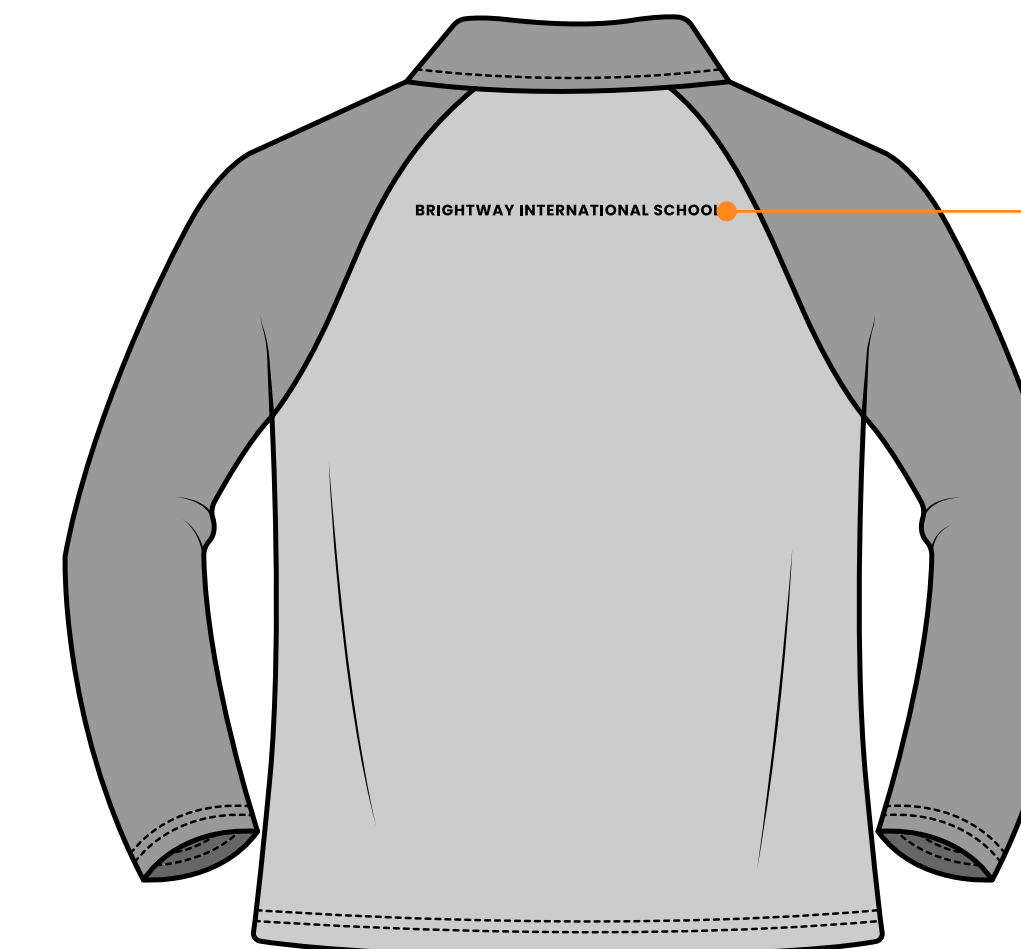


TURNBACK 2.5 CM
KANSAI HEM

BACK



BACK



PRINTED SCHOOL NAME

BRIGHTWAY INTERNATIONAL SCHOOL

HEIGHT: 1 CM

COLORS CODE(S):



HEX FF881D
RGB 29,136,255
CMYK 0,96,57,0



HEX A3F75
RGB 117,63,10
CMYK 13,28,83,100



UNIFORM GUIDELINES

POLO-SHIRT BOY

The Brightway International School uniform represents unity, discipline, and pride. All students are expected to wear the approved uniform neatly and correctly at all times.

Uniforms should be well-fitted, clean, and ironed.

Only approved colors, styles, and minimal accessories are permitted.

A well-maintained uniform reflects the identity and values of Brightway International School.

FRONT



FRONT



NECK BAND 2.5 CM
BY COMBO, SNES 0.5 CM

ALONG ARMHOLE
SNES 0.1 CM

PRINTED LOGO

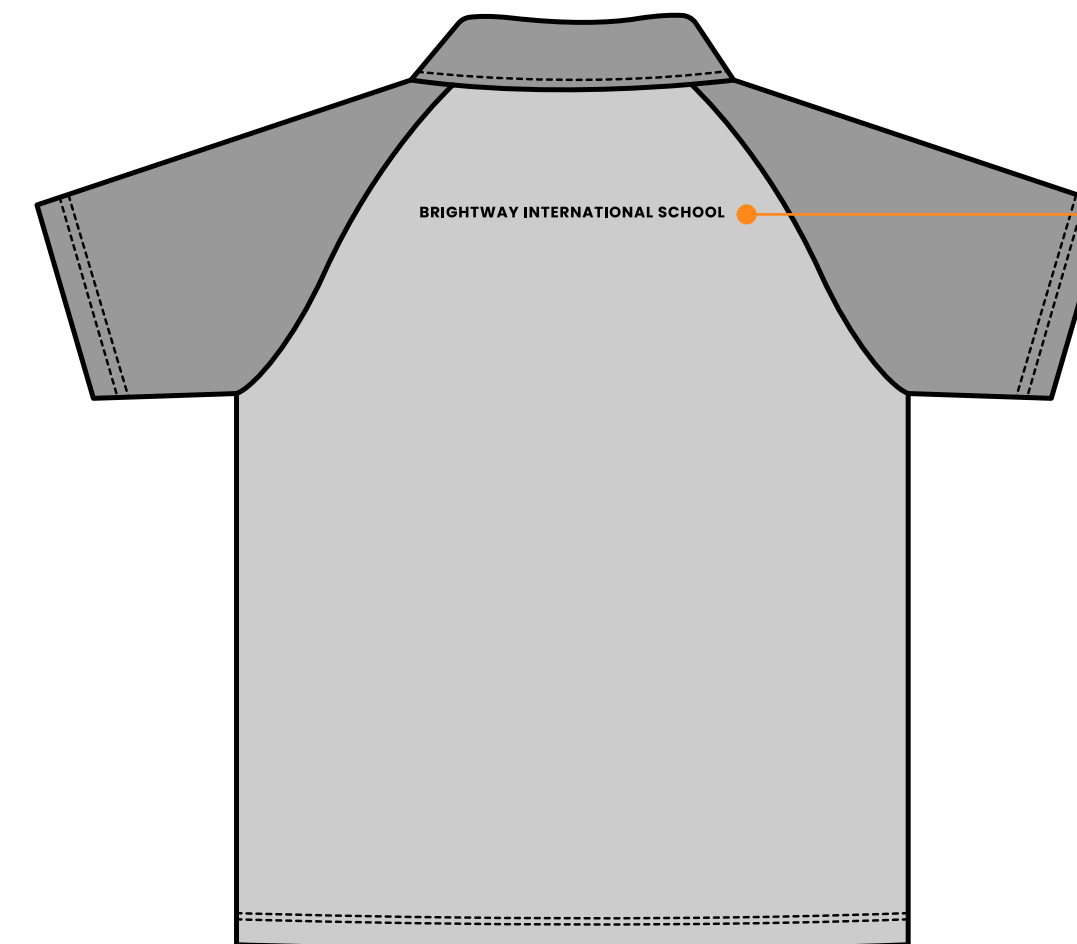


TURNBACK 2.5 CM
KANSAI HEM

BACK



BACK



PRINTED SCHOOL NAME

BRIGHTWAY INTERNATIONAL SCHOOL
HEIGHT: 1 CM

COLORS CODE(S):



HEX FF881D
RGB 29,136,255
CMYK 0,96,57,0



HEX A3F75
RGB 117,63,10
CMYK 13,28,83,100



UNIFORM GUIDELINES

SHORTS BOY

The Brightway International School uniform represents unity, discipline, and pride. All students are expected to wear the approved uniform neatly and correctly at all times.

Uniforms should be well-fitted, clean, and ironed.

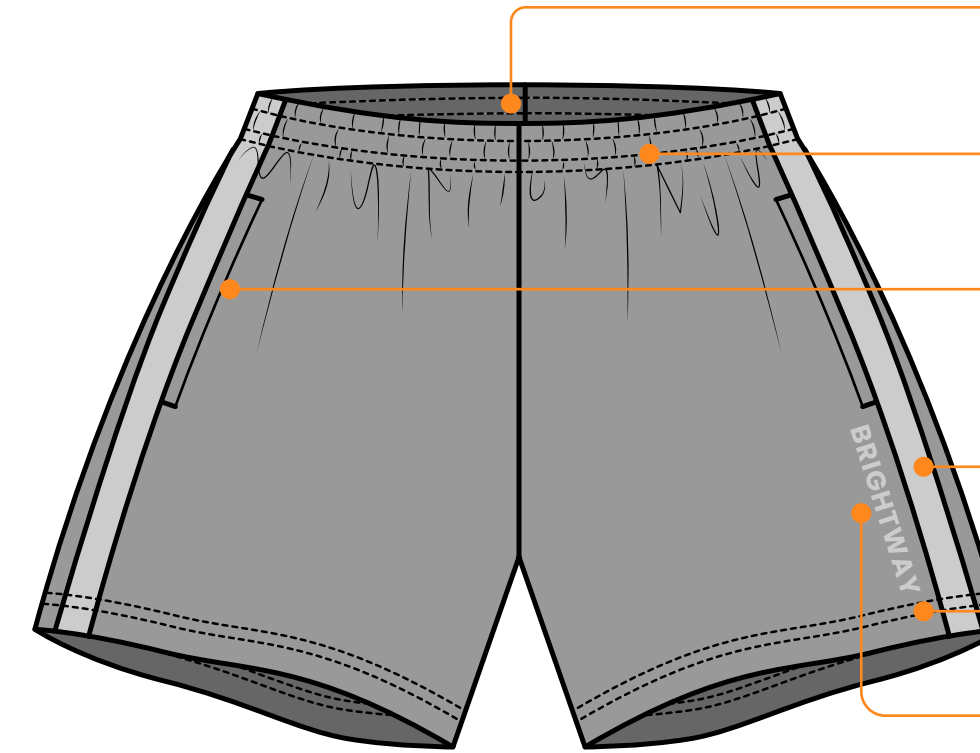
Only approved colors, styles, and minimal accessories are permitted.

A well-maintained uniform reflects the identity and values of Brightway International School.

FRONT



FRONT



MAKE BUTTONHOLE TO DRAW CORD INSIDE OF WAISTBAND

ATTACH ELASTIC BAND 3CM INSIDE OF THE WAIST, CLEAN FINISH

SIDE POCKET, POCKET OPENING 15CM WITH SNTS 0.7CM

SET-ON 2.5CM COMBO FABRIC ALONG THE SIDSEAM BY SNTS 0.1CM

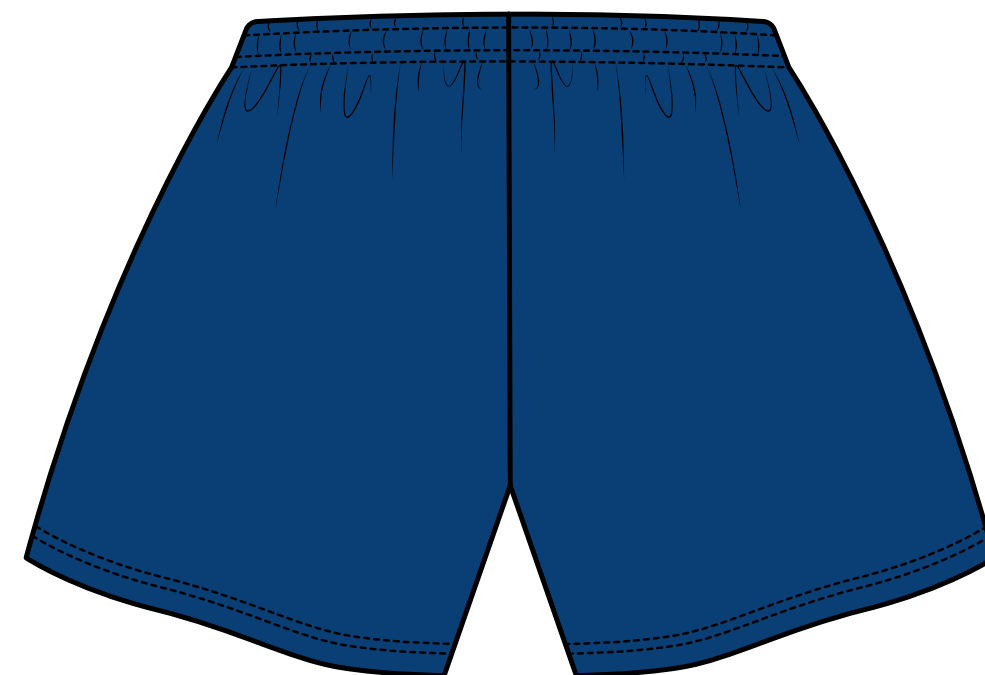
HEM HEIGHT 2.5CM
CLEAN FINISH

PRINTED SCHOOL NAME

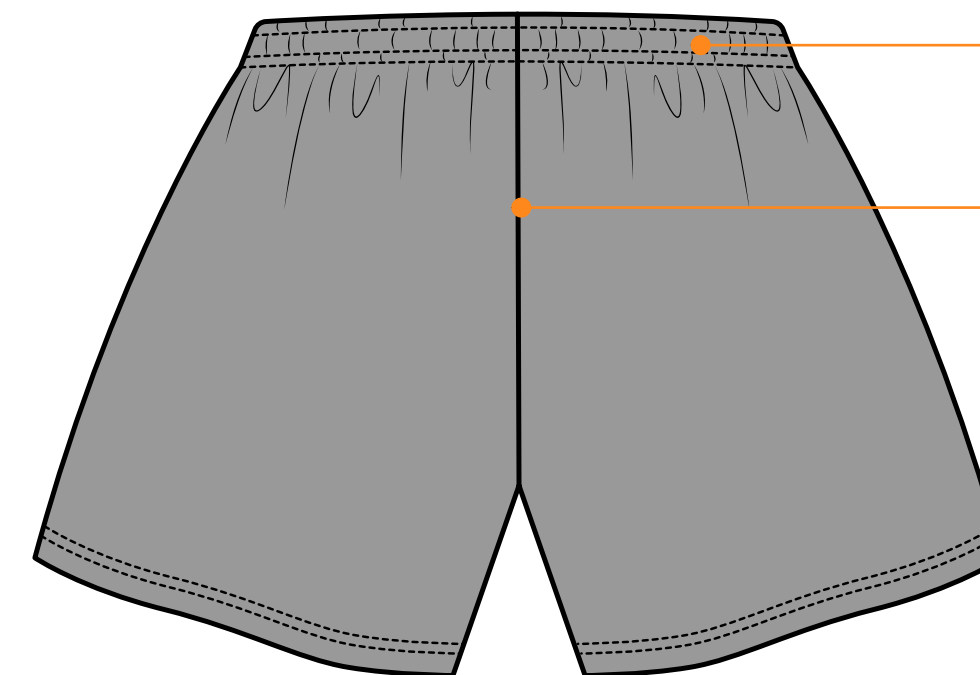
BRIGHTWAY

HEIGHT 1.5 CM

BACK



BACK



USE CHAINSTICH FOR STITCH IN WAISTBAND

SNES 0.1CM
ALONG THE RISE

COLORS CODE(S):



HEX FF881D
RGB 29,136,255
CMYK 0,96,57,0



HEX A3F75
RGB 117,63,10
CMYK 13,28,83,100



UNIFORM GUIDELINES

PANTS BOY

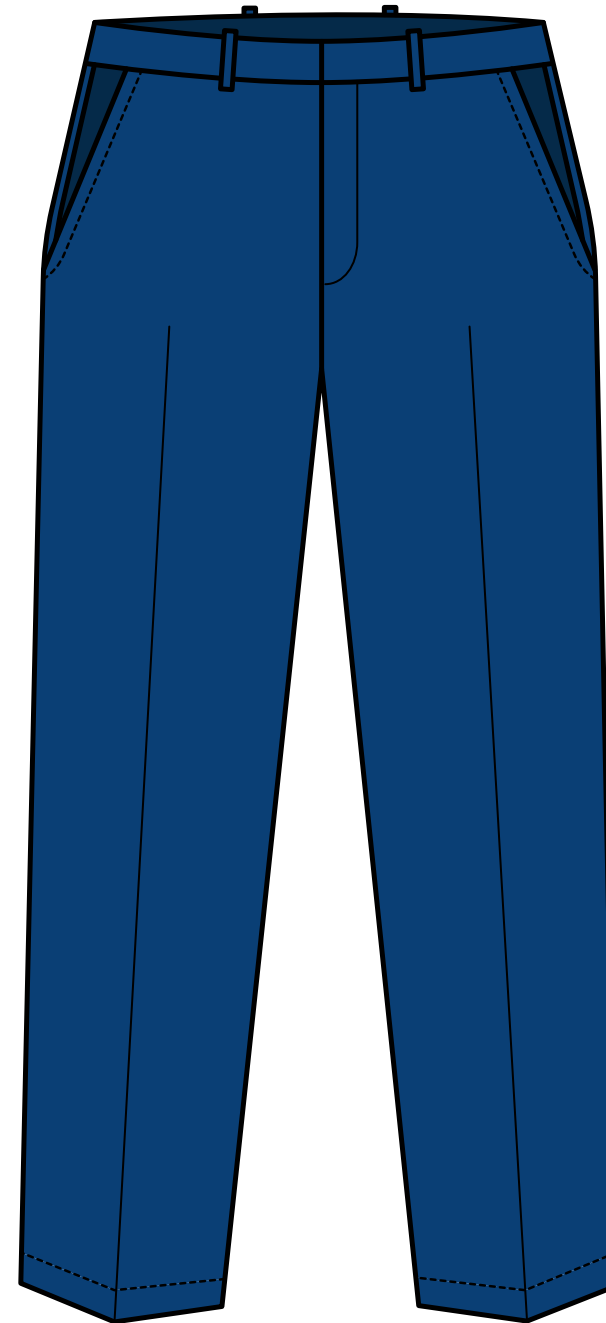
The Brightway International School uniform represents unity, discipline, and pride. All students are expected to wear the approved uniform neatly and correctly at all times.

Uniforms should be well-fitted, clean, and ironed.

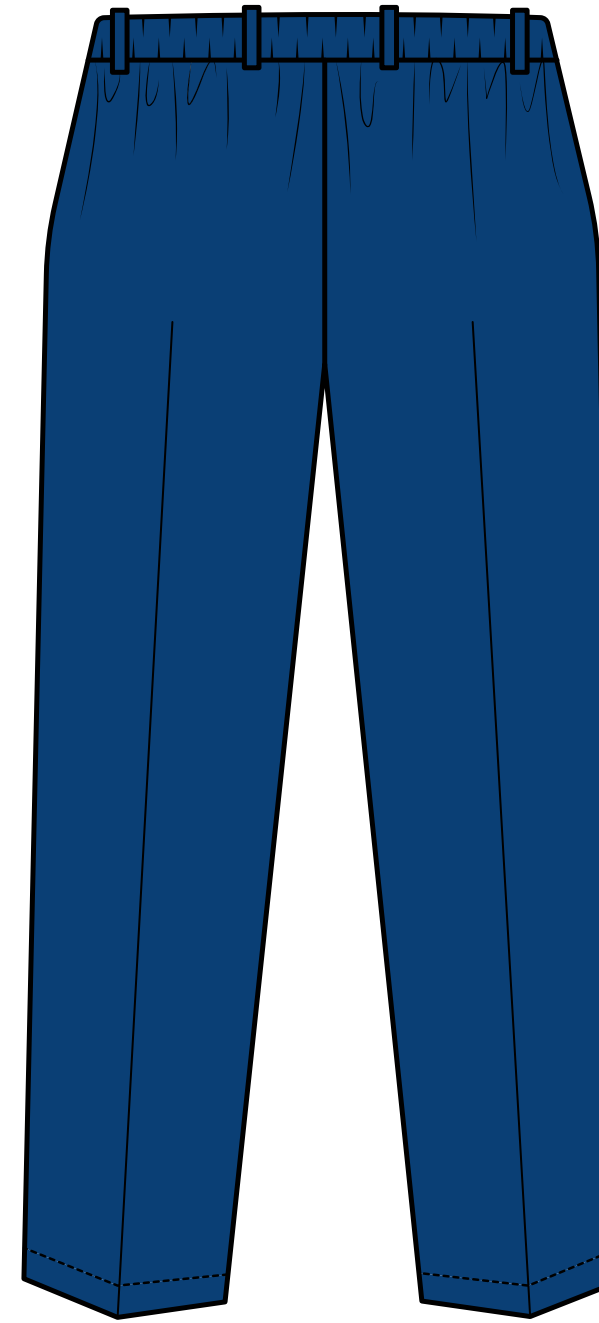
Only approved colors, styles, and minimal accessories are permitted.

A well-maintained uniform reflects the identity and values of Brightway International School.

FRONT



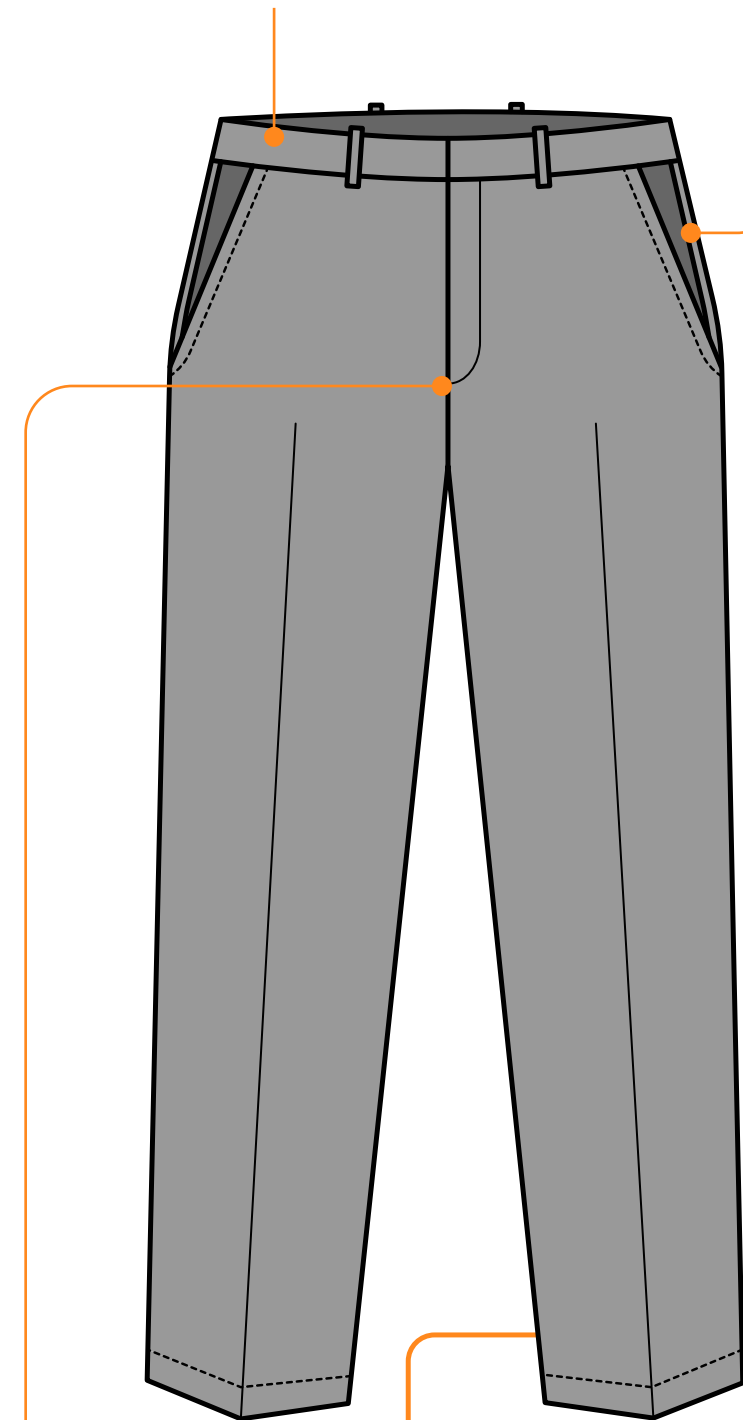
BACK



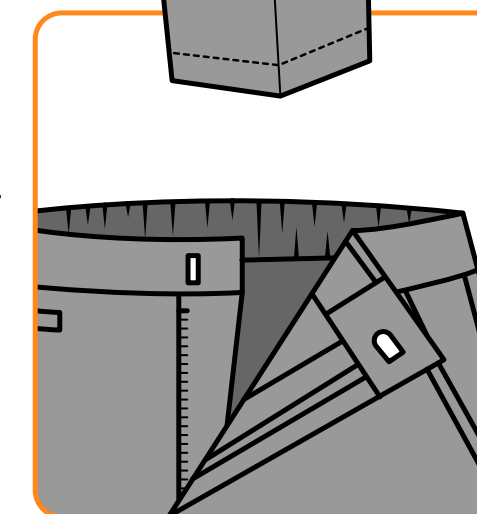
FRONT

HOOK AND BAR
INSIDE OF WAIST
BAND

OPENING POCKET
16CM, MAKE BARTACK
CLEAN FINISH WITH FACING



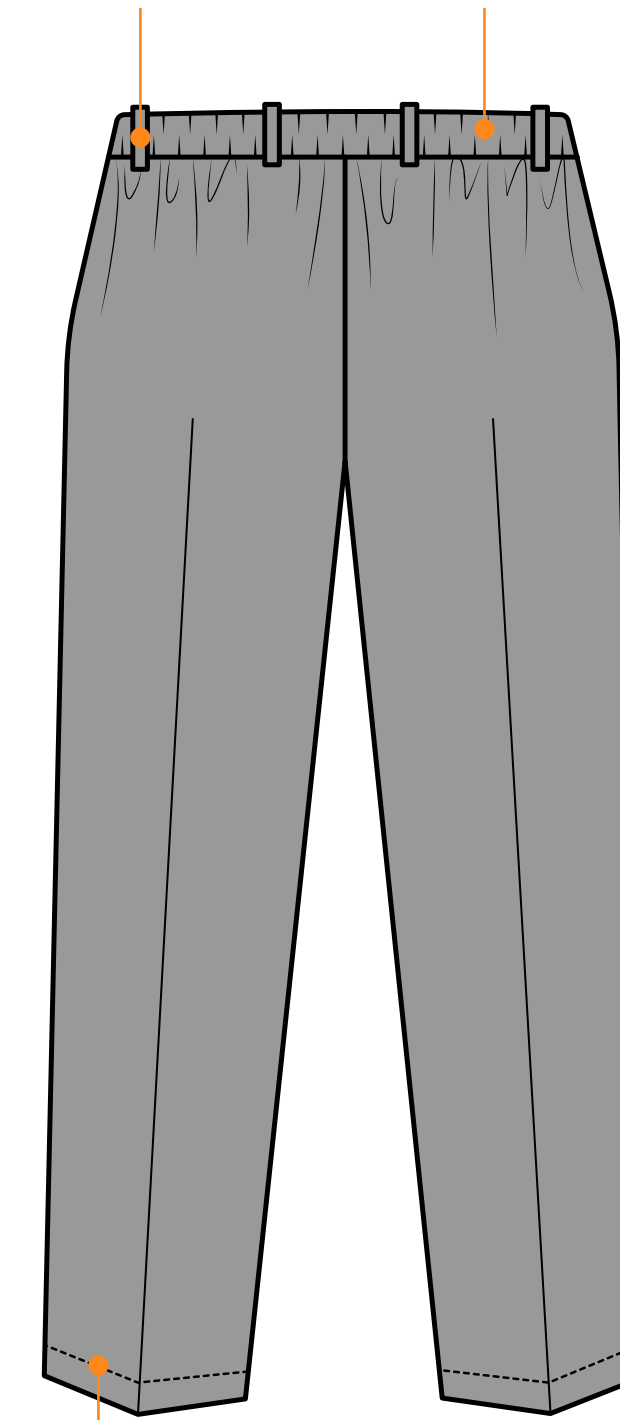
MAKE BARTACK AT
BOTTOM OF FLY



BACK

BELT LOOP
WIDTH 1CM
WITH SNES 0.1CM

INSERT ELASTICBAND
FOR BACK ONLY



TURNBACK 2.5 CM
WITH COVERSTICH

COLORS CODE(S):



HEX A3F75
RGB 117 ,63 ,10
CMYK 13 ,28 ,83 ,100



UNIFORM GUIDELINES

POLO-SHIRT BOY

The Brightway International School uniform represents unity, discipline, and pride. All students are expected to wear the approved uniform neatly and correctly at all times.

Uniforms should be well-fitted, clean, and ironed.

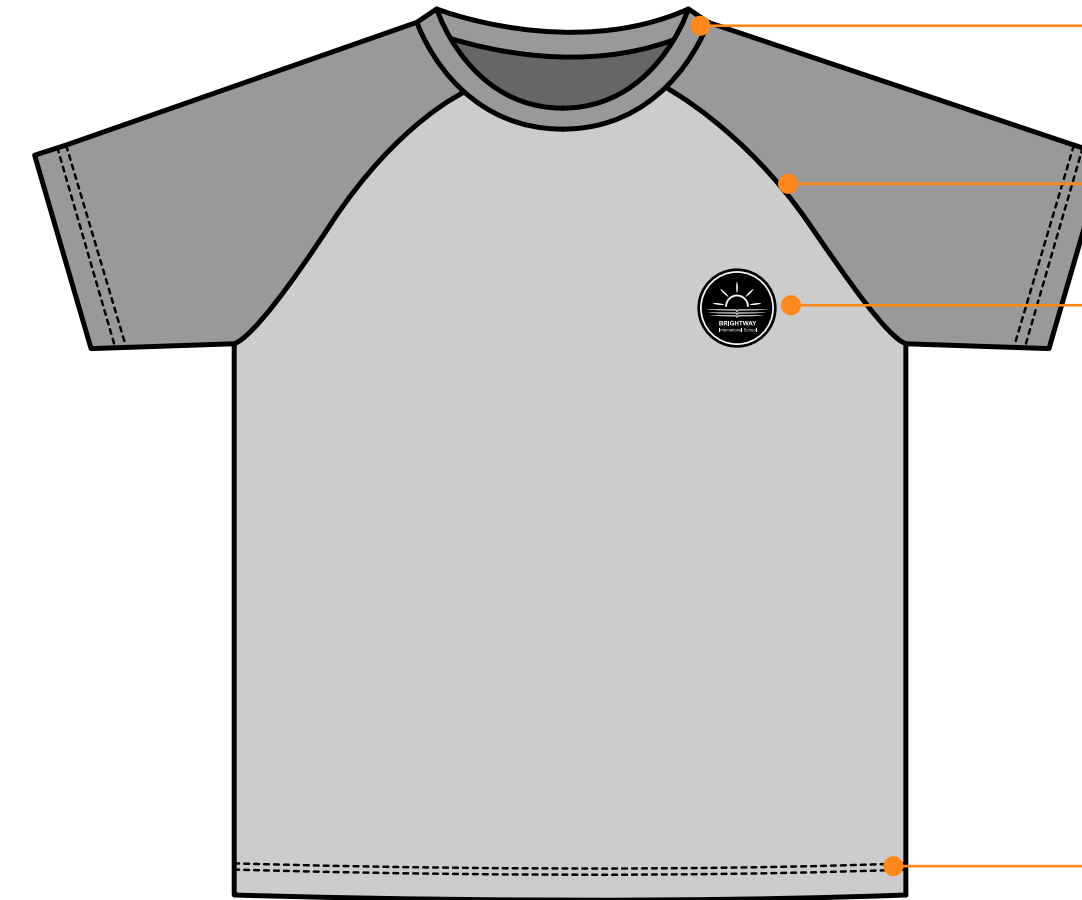
Only approved colors, styles, and minimal accessories are permitted.

A well-maintained uniform reflects the identity and values of Brightway International School.

FRONT



FRONT



NECK BAND 2.5 CM
BY COMBO, SNES 0.5 CM

ALONG ARMHOLE
SNES 0.1 CM

PRINTED LOGO

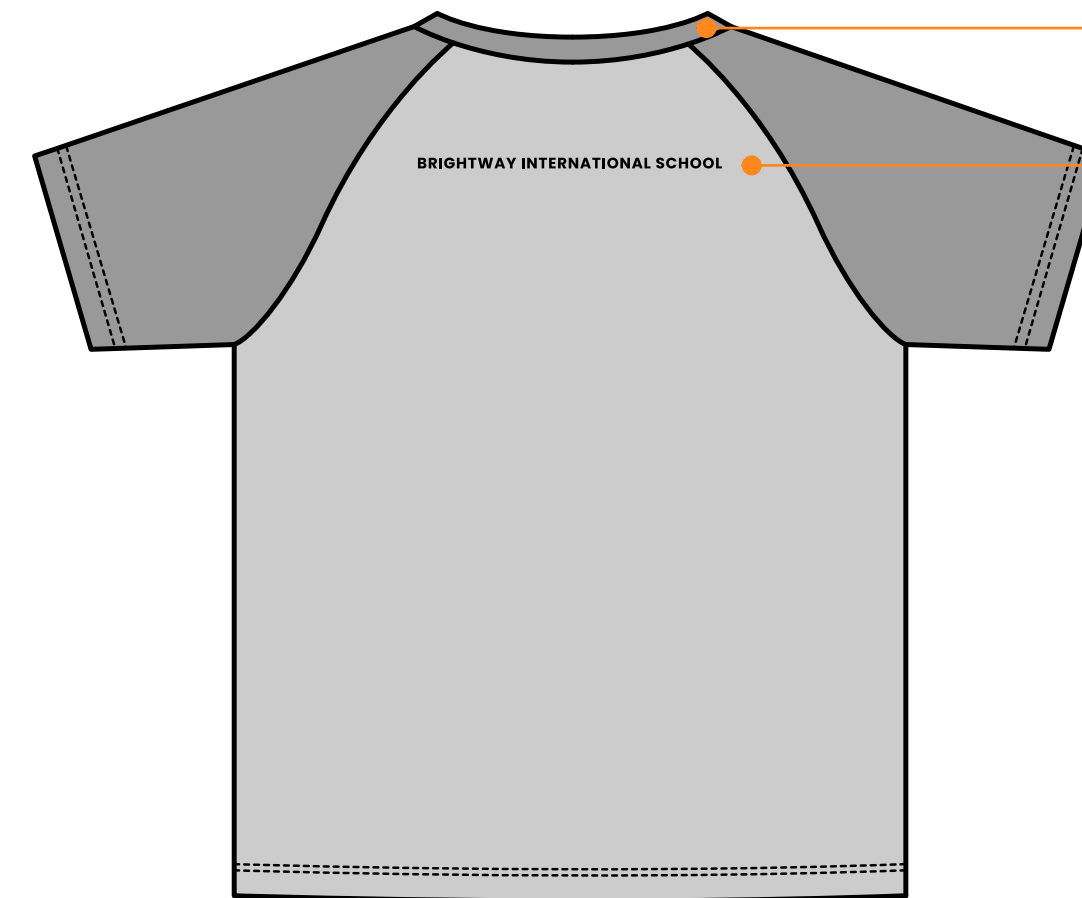


TURNBACK 2.5 CM
KANSAI HEM

BACK



BACK



SET-IN NECKBAND 2.5 CM
WITH COVERSTITCH
SNTS 0.5CM

PRINTED SCHOOL NAME

BRIGHTWAY INTERNATIONAL SCHOOL
HEIGHT: 1 CM

COLORS CODE(S):



HEX FF881D
RGB 29,136,255
CMYK 0,96,57,0



HEX A3F75
RGB 117,63,10
CMYK 13,28,83,100

